

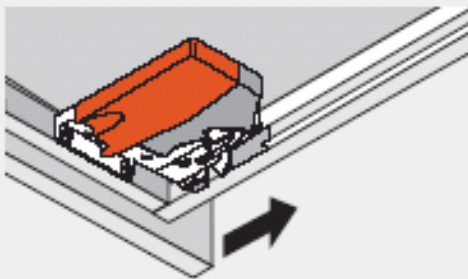


# Wood Drawer Box Adjustments

## Tandem Installation, removal and adjustment information

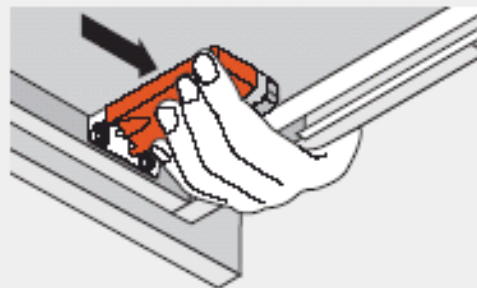
### Drawer installation and removal

#### Installation



Place drawer on runners and close. Locking devices automatically connect to runners.

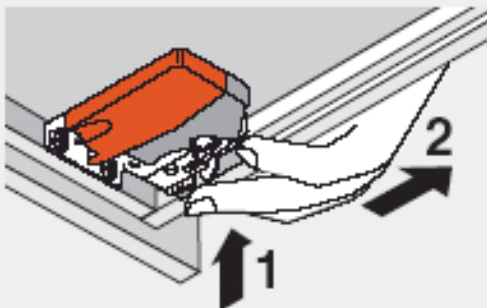
#### Removal



1. Squeeze orange handles on locking devices.
2. Pull drawer out and up.

### Adjustments

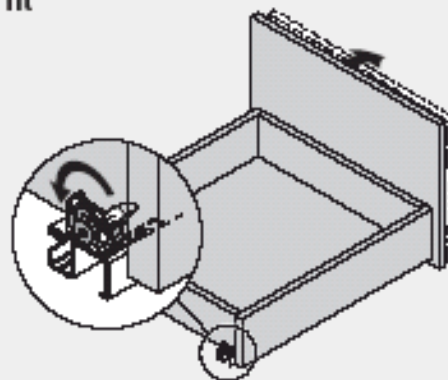
#### Height



1. Press up on adjustment tab.
2. Push towards back of drawer.

Max. 3mm (1/8") rise of drawer.

#### Tilt



Rotate the tilt adjustment dial on the rear of each profile to tilt the top of the drawer front forward.