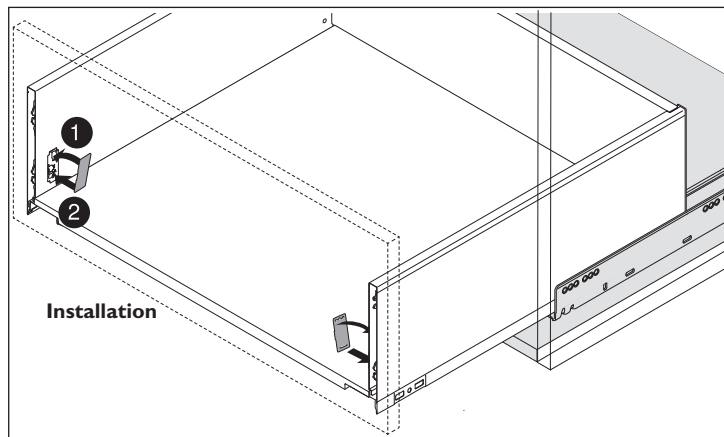
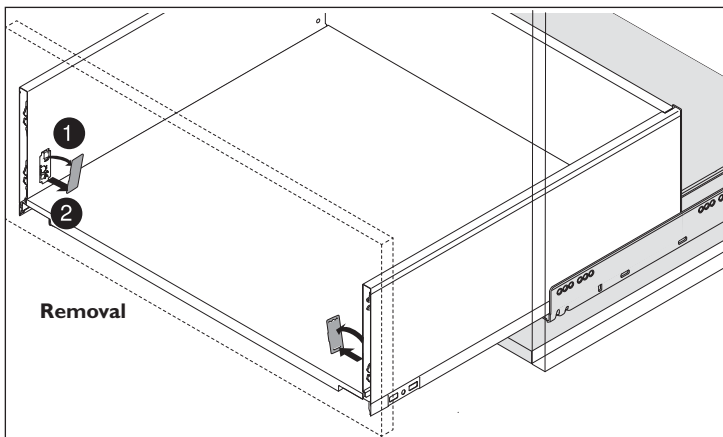
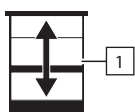


Drawer Front Adjustment (Stainless Steel Drawers)

COVER CAP REMOVAL AND INSTALLATION



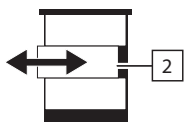
HEIGHT, SIDE AND TILT ADJUSTMENTS



HEIGHT ADJUSTMENT

$\pm 2\text{mm}$ (3/32")

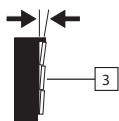
Turn the adjustment screw to raise or lower the drawer front.



SIDE ADJUSTMENT

$\pm 1.5\text{mm}$ (1/16")

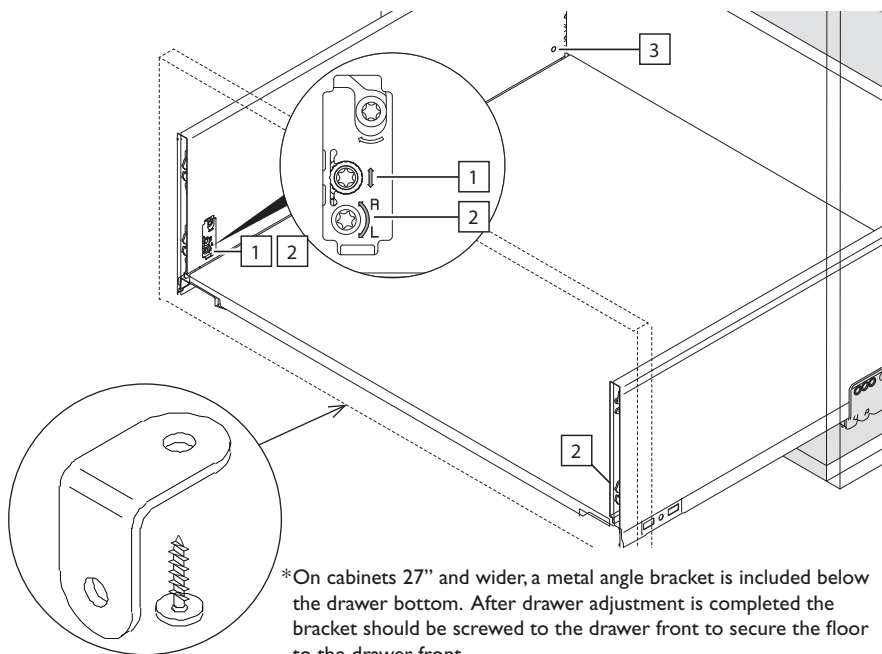
Turn adjustment screw towards the **L** to move drawer front left.
Turn adjustment screw towards the **R** to move drawer front right.



TILT ADJUSTMENT

M height $+1.5/-0.5$ (1/16"/1/32")
C/F height ± 1.5 (1.16")

To increase the drawer front gap, turn the adjustment screw clockwise, to decrease turn adjustment screw counterclockwise.



*On cabinets 27" and wider, a metal angle bracket is included below the drawer bottom. After drawer adjustment is completed the bracket should be screwed to the drawer front to secure the floor to the drawer front.

NOTE: Height, side and tilt adjustments must be achieved with a T20 Torx screwdriver.

DRAWER FRONT REMOVAL

Turn screw to release front fixing bracket. Lift drawer front away from drawer box.

DRAWER REMOVAL

Pull Drawer Forward to reveal locking devices. Squeeze triggers on locking device and lift drawer box off of runners.

