



Horizons

Clip Top Hinge & Plate Adjustment Information

CLIP top series hinge adjustments

Side adjustment



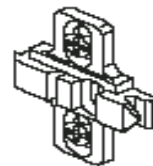
Turn front screw to increase or decrease door overlay.
Range = 3/32" (2mm)



Depth adjustment



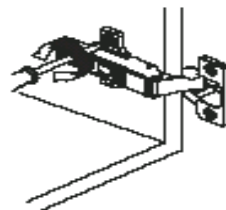
Turn rear spiral-tech cam screw to adjust door position.
Range = 3/16" (5mm)



Height adjustment



Loosen screw (s) on the mounting plate. Adjust door to position and tighten screws.
Range = 5/32" (4mm)

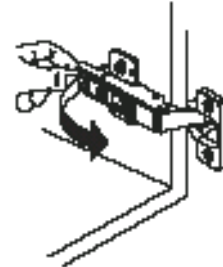


Horizons

Clip Top hinge Installation and removal Information

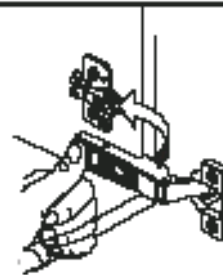
Door removal

Release the lever under the hinge arm to remove.



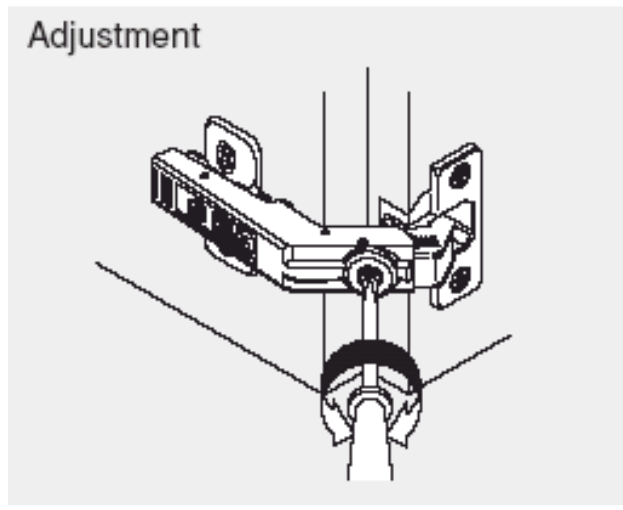
Door installation

To reinstall, place the hinge on the mounting plate and push the back with finger pressure. The "CLIP" sound confirms a secure attachment.



Bi-fold Clip Top Hinge – gap adjustment Side, Depth and Height same as above

Adjustment



DeWils reserves the right to make changes to products without notice